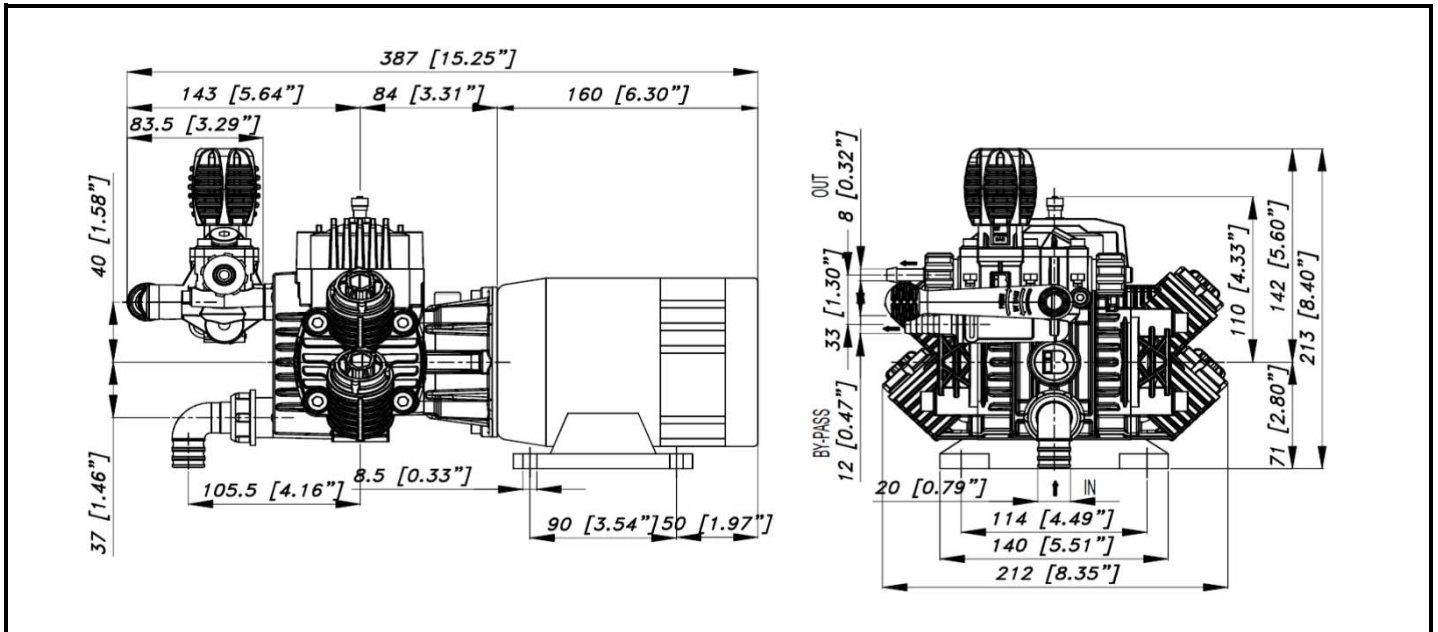




DIMENSIONI D'INGOMBRO - OVERALL DIMENSIONS

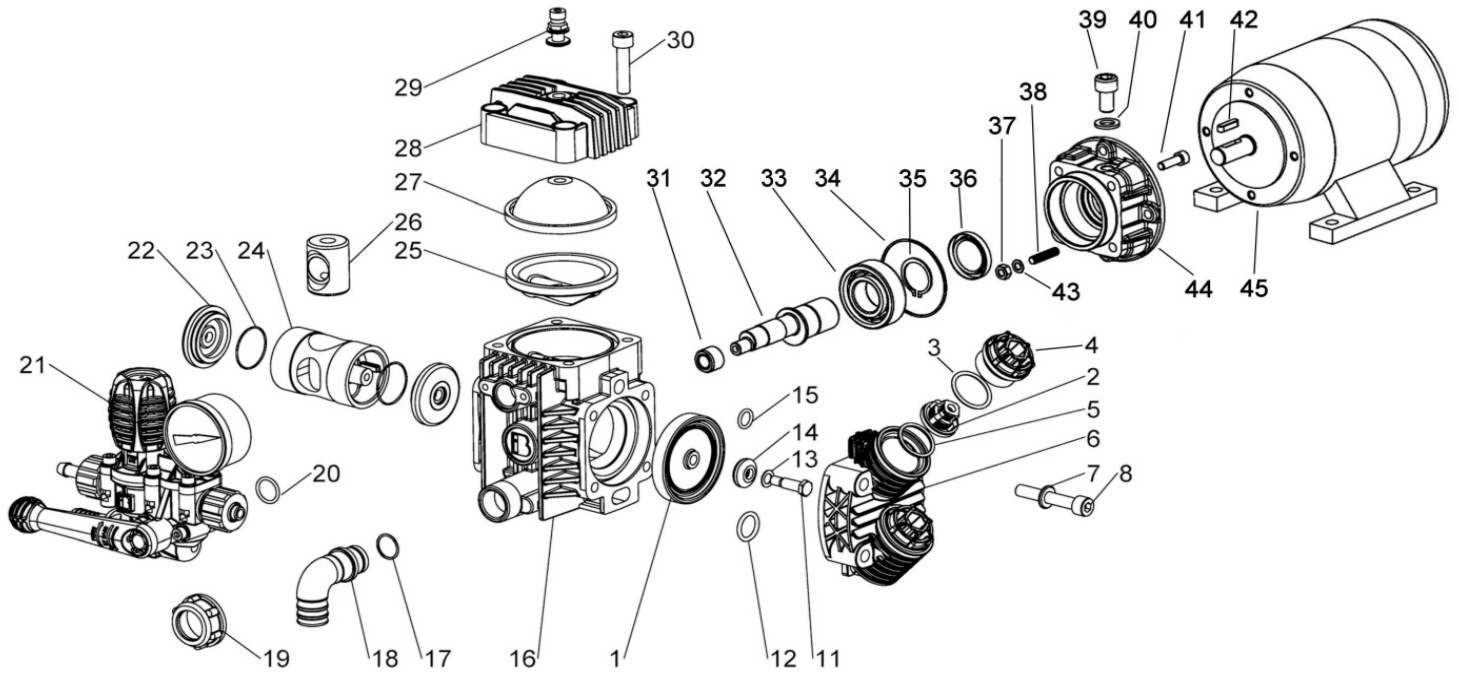


COPPIA DI SERRAGGIO - TORQUE CHART				
CODICE - CODE	Q.TY	POS	N-m	Lbr.ft
86.2730.00.2	4	30	22	16,2
86.2796.10.2	8	8	10	7,4
11.0008.53.2	2	14	5	3,7
80.2166.00.2	4	40	10	7,4
80.2166.00.2	4	43	10	7,4
11.0008.53.2	2	11	5	3,7
11.0152.32.2	4	4	10	7,4
Tolleranza di serraggio:		0/-10%		
Tolerance on torque value:		0/-10%		

INFORMAZIONI UTILI USEFUL INFORMATION				
LUBRIFICANTE - LUBRICANT:				
OLIO MOTORE O SEMIIDRAULICO SAE 30 MOTOR OIL OR SEMI-HYDRAULIC OIL SAE 30				
PRESSIONE ACCUMULATORE ACCUMULATOR PRESSURE				
PRESSIONE DI LAVORO - OPERATING PRESSURE	2 ÷ 5	5÷10	10 ÷ 20	20 ÷ 50
ACCUMULATORE ACCUMULATOR	2	2 ÷ 5	5 ÷ 7	6 ÷ 8

KIT MEMBRANE - KIT POMPA - KIT VALVOLE DIAPHRAGMS KIT - PUMP KIT - VALVES KIT

KIT	11.9887.97.3	BUNA - N					11.9901.97.3	KIT POMPA PUMP KIT						11.9888.97.3	KIT VALVOLE VALVE KIT		
POSIZIONE ESPLOSO POSITION NUMBER		1	12	15	25	27		12	15	20	23	34	36		2	3	5
QUANTITA' NEL KIT QUANTITIES INCLUDED		2	2	2	1	1		4	4	1	2	1	1		4	4	4



POS.	CODICE PART NO. REF.	DENOMINAZIONE - DESCRIPTION - DESCRIPTION	Q.TY	POS.	CODICE PART NO. REF.	DENOMINAZIONE - DESCRIPTION - DESCRIPTION	Q.TY
1	12.0040.31.2	DIAPHRAGM	2	24	11.0010.09.2	PISTON	1
2	11.9001.97.3	VALVES	4	25	10.0040.31.2	LOWER ACCUMULATOR DIAPHRAGM	1
3	80.3219.00.2	O-RING 3x25	4	26	11.0015.01.2	PLUNGER ROD	1
4	11.0152.32.2	CAP	4	27	10.0041.31.2	UPPER ACCUMULATOR DIAPHRAGM	1
5	80.3200.00.2	O-RING 2,62x22,22	4	28	11.0004.09.2	BALLASTER COVER	1
6	11.0151.32.2	HEAD	2	29	86.1608.50.2	AIR VALVE	1
7	84.3685.00.2	WASHER D.8,2X15X1,5	8	30	86.2730.00.2	SCREW M8X30 UNI5931	4
8	86.2796.00.2	SCREW M8X40 UNI5931	4-8	31	10.9815.97.3	BEARING ASSEMBLY	1
11	11.0008.53.2	DIAPHRAGM SCREW	2	32	11.0127.42.2	SHAFT (STRIP 9/10 - 15/5)	1
12	80.3181.00.2	O-RING 2,62x15,54	2	32	11.0135.42.2	SHAFT (STRIP 15/15)	1
13	84.3620.10.2	WASHER D.7,3x12x0,5	2	33	81.2707.00.2	BEARING 25X52X15	1
14	11.0009.32.2	DISK	2	34	80.3080.40.2	O-RING 1,78x53,7	1
15	80.3088.20.2	O-RING 2,0x10	2	35	80.1185.00.2	RING D.25	1
16	11.0150.09.2	CRANKASE	1	36	80.2093.00.2	OIL SEAL 25X37X5	1
17	80.3060.00.2	O-RING 1,78X12,42	1	37	81.4542.00.2	NUT M6	4
18	84.0521.00.2	90° ELBOW CONNECTOR DIA.20	1	38	83.8012.00.2	STUD M6X18 UNI5911	4
19	82.0042.10.2	WING NUTG.3/4"	1	39	86.3187.10.2	SCREW M10X16 UNI5931	1
20	80.3088.00.2	O-RING 2X15	1	40	84.3800.50.2	GASKET	1
21	94.7301.97.3	PRESSURE REGULATOR PBP 25	1	41	86.2166.00.2	SCREW M6X20 UNI5931	4
22	11.0011.32.2	PISTON HEAD	2	42	80.6443.00.2	KEY 5x5x20	1
23	80.3005.00.2	O-RING 1,0x28	2	43	84.3585.00.2	WASHER D.6,2	4
				44	11.0126.07.2	FLANGE	1
				45	83.2008.00.2	ELECTRIC MOTOR 12VDC (STRIP 9/10-15/5)	1
				45	83.2008.50.2	ELECTRIC MOTOR 12VDV (STRIP 15/15)	1